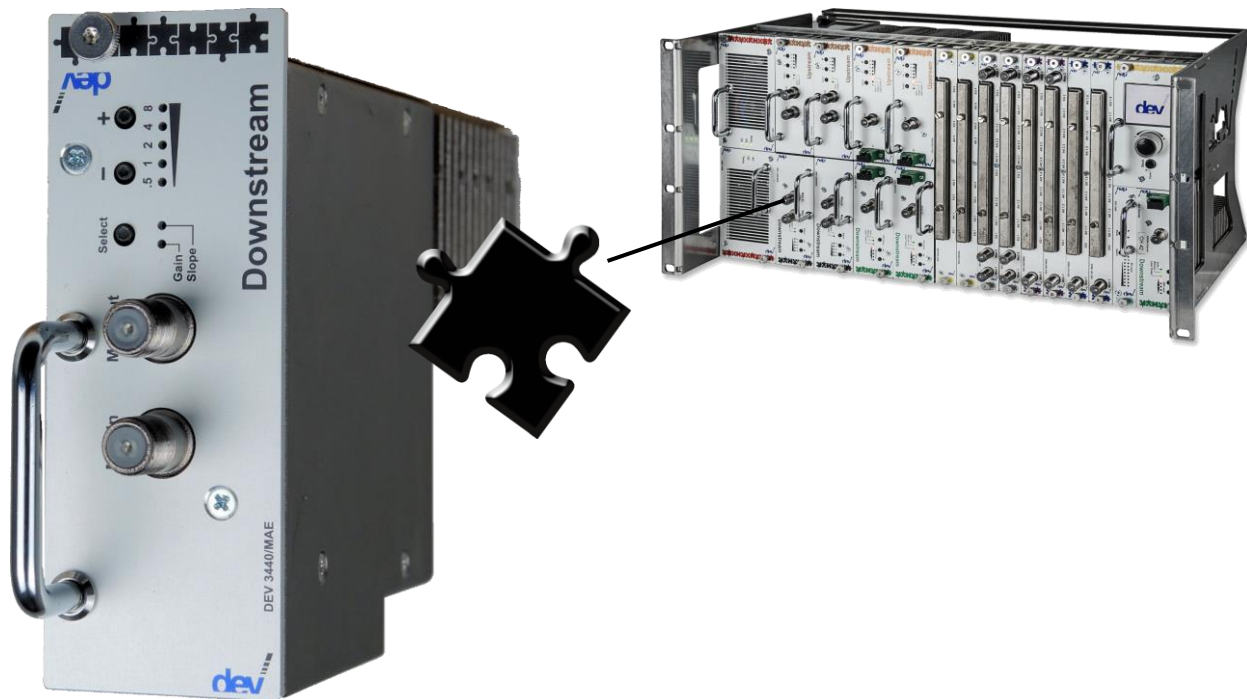
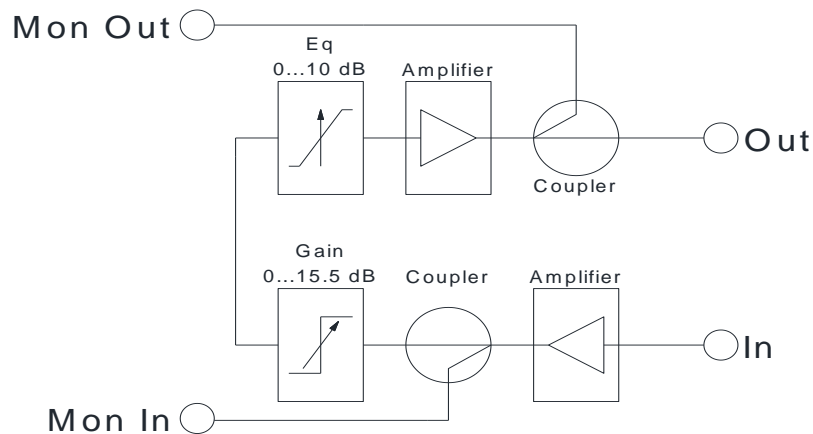


DEV 3440/MAE - MODULO Downstream Amplifier



Features:

- ▀ Module 2.5 RU; 2 Slots
- ▀ In- and Outputs at the Rear
- ▀ Monitor Port for In- and Output at the Front
- ▀ Local Control of Gain and Slope (EQ)
- ▀ Low Noise
- ▀ Docsis3.1 Ready



Technical Data DEV 3440/MAE

	Value	Condition
RF Specification		
Frequency Range	47...1218 MHz	
Impedance	75 Ohm	
Connectors	F (f)	
Damage Composite Input Level	113 dB μ V	
Maximum Composite Input Level	88 dB μ V	
Maximum Composite Output Level	123 dB μ V	@ 35 dB gain
Adjustable Gain	20...35.5 dB	
Flatness	≤ 1.5 dB ≤ 0.2 dB	47...1218 MHz In any 8 MHz window
Adjustable Slope (EQ)	0...10 dB	1218/85 MHz
Return Loss (all Ports)	≥ 16 dB, typ. ≥ 18 dB	
Input Monitor Port	-20 \pm 1 dB	Note 1
Flatness Input Monitor Port	≤ 1.5 dB	Note 1
Output Monitor Port	-20 \pm 1 dB	Note 1
Flatness Output Monitor Port	≤ 1.5 dB	Note 1
CTB	≥ 70 dBc	Note 2
CSO	≥ 66 dBc	Note 2
CNR	≥ 82 dB	Note 3
Noise	≤ 7.0 dB ≤ 5.0 dB ≤ 4.0 dB ≤ 3.5 dB	@ 20 dB gain @ 1200 MHz @ 25 dB gain @ 1200 MHz @ 30 dB gain @ 1200 MHz @ 35 dB gain @ 1200 MHz
BER	$\leq 10^{-9}$	Note 4
General Specification		
Operating Voltage	24 VDC	
Power Consumption	≤ 15 W	
Size	1.57" (40 mm) Width, 2.5 RU (110 mm) Height, 8.86" (225 mm) Depth	
Weight	~ 1.6 kg	
Environmental Conditions	ETS 300019 Part 1-3 Class 3.1E	
Operating Temperature	0...50 °C (32...122 °F)	
Storage Temperature	-40...+70 °C (-40...+158 °F)	
Storage Humidity	5...95 %	Non-condensing
Noise Immunity & Radiated Disturbance	EN 50083-2	

Note 1: Output port terminated with 75 Ohms

Note 2: Input port: unmodulated CENELEC 42, 72 dB μ V/channel or composite 88 dB μ V

Note 3: Bandwidth = 4.75 MHz, gain = 35 dB

Note 4: 116 * QAM 256 channels, slope 0 dB, Pout max. 106 dB μ V/Ch

Order Information

Product	
DEV 3440/MAE	MODULO Downstream Amplifier; 47...1218 MHz; 75 Ohm, F (f); 2.5 RU, 2 Monitor Ports, MGC and Adjustable Slope

Contact

DEV Systemtechnik GmbH
Grüner Weg 4A
61169 Friedberg
GERMANY
Phone: +49 6031 6975 100
Fax: +49 6031 6975 114
info@dev-systemtechnik.com
www.dev-systemtechnik.com

Rev. 29-Nov-2017

Technical specifications are subject to change