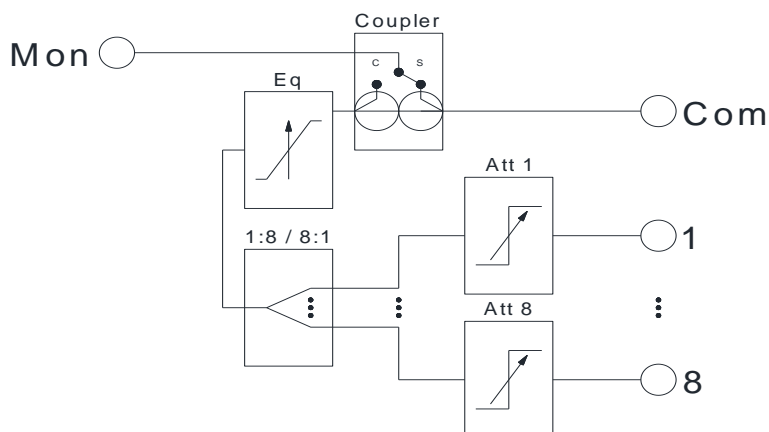


DEV 3411/MAE – MODULO Splitter/Combiner 1:8/8:1



Features:

- ▀ Module 5 RU; 1 Slot
- ▀ Jumper to select Splitter or Combiner Functionality
- ▀ In- and Outputs at the Rear
- ▀ Monitor Port at the Front
- ▀ Adjustable Attenuation per In-/Output
- ▀ Adjustable Slope at Common Port
- ▀ Radiated Disturbance ClassA+10dB



Technical Data DEV 3411/MAE

	Value	Condition
RF Specification		
Frequency Range	5...1218 MHz	
Impedance	75 Ohm	
Connectors	F (f)	
Damage Composite Input Level	139 dB μ V	
Insertion Loss with 0 dB Attenuator Pad and 0 dB Equalizer Pad	max. 12.5 dB max. 13.0 dB max. 14.0 dB max. 15.0 dB max. 16.5 dB	5 ... 50 MHz 50 ... 550 MHz 550 ... 870 MHz 870 ... 1006 MHz 1006 ... 1218 MHz
Flatness	± 0.1 dB	In any 8 MHz window, 15 ... 1218 MHz
Monitor Port	-20 \pm 3 dB	
Flatness Monitor Port	± 0.5 dB ± 0.5 dB	5 ... 1006 MHz 1006 ... 1218 MHz
Return Loss Monitor Port	≥ 18 dB	
Return Loss (Common Port)	≥ 18 dB ≥ 16 dB	5 ... 1006 MHz 1006 ... 1218 MHz
Return Loss (In-/Output Ports)	≥ 18 dB	
Isolation between In- & Output Ports	≥ 30 dB	5 ... 1218 MHz *
General Specification		
Environmental Conditions	ETS 300019 Part 1-3 Class 3.1E	
Operating Temperature	0...50 °C (32...122 °F)	
Storage Temperature	-40...+70 °C (-40...+158 °F)	
Storage Humidity	5...95 %	Non-condensing
Radiated Disturbance	EN 50083-2 ClassA+10dB	

* with 3 dB Pad

Pad Information



Attenuator pads available for attenuation 0...15 dB in 1 dB steps



Equalizer pads available for slope 1.5...18 dB @ 1218/52 MHz in 1.5 dB steps

Order Information

Products	
DEV 3411/MAE	MODULO Splitter/Combiner 1:8/8:1; 5...1218 MHz; 75 Ohm, F (f); 5 RU, Monitor Port, Adjustable Attenuation and Adjustable Slope
DEV 3920/xxdB	25 Attenuator Pads; 5...1218 MHz; 0...15 dB in 1 dB Steps
DEV 3921/xxdBy	10 Linear Equalizer Pads; 1218/52 MHz; 1.5...18 dB in 1.5 dB Steps

Contact

DEV Systemtechnik GmbH
 Grüner Weg 4A
 61169 Friedberg
 GERMANY
 Phone: +49 6031 6975 100
 Fax: +49 6031 6975 114
 info@dev-systemtechnik.com
 www.dev-systemtechnik.com

Rev. 17-Apr-2018

Technical specifications are subject to change