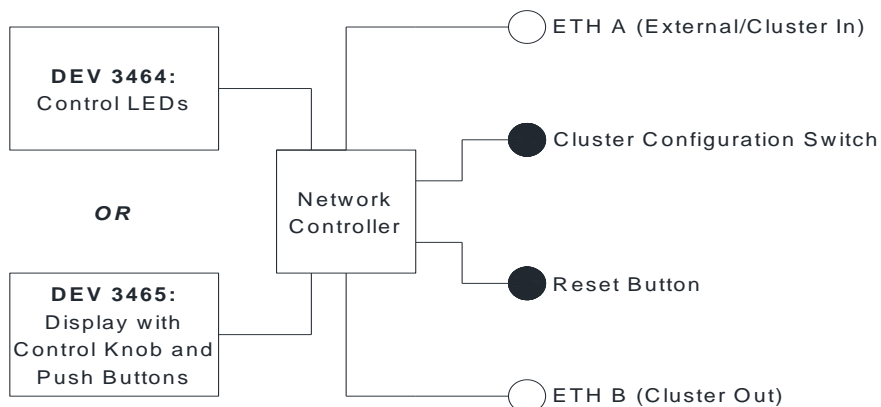


DEV 3464 & DEV 3465 - Network Controller for MODULO



Features:

- ▀ Modules 2.5 RU; 1 or 3 Slots
- ▀ Control and Surveillance of all active MODULO Components
- ▀ Prepared for Clustering
- ▀ Local User Interface (DEV 3465)
- ▀ SNMP Support
- ▀ Web Interface



Technical Data DEV 3464

	Value	Condition
Remote Communication		
Interface (Connector)	Ethernet (RJ-45)	
Remote Control & Surveillance	<ul style="list-style-type: none"> • via Web Interface • via SNMP 	
General Specification		
Operating Voltage	24 VDC	
Power Consumption	≤10 W	
Size	0.79" (20 mm) Width, 2.5 RU (110 mm) Height, 5.31" (135 mm) Depth	
Weight	~0.7 kg	
Environmental Conditions	ETS 300019 Part 1-3 Class 3.1E	
Operating Temperature	0...50 °C (32...122 °F)	
Storage Temperature	-40...+70 °C (-40...+158 °F)	
Storage Humidity	5...95 %	Non-condensing
Noise Immunity & Radiated Disturbance	EN 50083-2	

Technical Data DEV 3465

	Value	Condition
Local Operation		
Display	2.2" Full Color (18 Bits)	
Controls	Control Knob & Push Buttons	
Remote Communication		
Interface (Connector)	Ethernet (RJ-45)	
Remote Control & Surveillance	<ul style="list-style-type: none"> • via Web Interface • via SNMP 	
General Specification		
Operating Voltage	24 VDC	
Power Consumption	≤10 W	
Size	2.36" (60 mm) Width, 2.5 RU (110 mm) Height, 5.31" (135 mm) Depth	
Weight	~1.2 kg	
Environmental Conditions	ETS 300019 Part 1-3 Class 3.1E	
Operating Temperature	0...50 °C (32...122 °F)	
Storage Temperature	-40...+70 °C (-40...+158 °F)	
Storage Humidity	5...95 %	Non-condensing
Noise Immunity & Radiated Disturbance	EN 50083-2	

Order Information

Products	
DEV 3464	Network Controller for MODULO Frame; 2.5 RU
DEV 3465	Network Controller for MODULO Frame with Local User Interface; 2.5 RU

Contact

DEV Systemtechnik GmbH
 Grüner Weg 4A
 61169 Friedberg
 GERMANY
 Phone: +49 6031 6975 100
 Fax: +49 6031 6975 114
 info@dev-systemtechnik.com
 www.dev-systemtechnik.com

Rev. 30-Nov-2017

Technical specifications are subject to change